

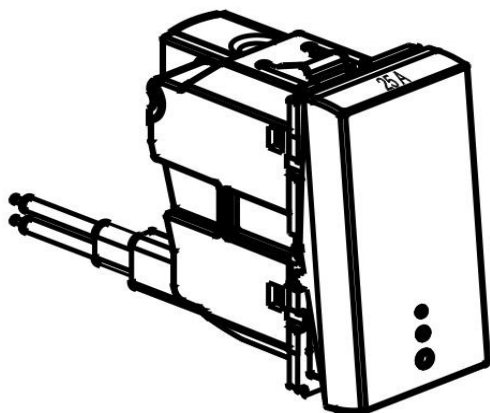
Myrius™

Ref . No. : 679416

25A SP 1 WAY SW IND 1M CHARCOAL GREY

Date : 07-05-2020

Rev.1

**1. USE**

General lighting control mechanism .

2.Type

One Way Switch with indicator (Square) single Pole

No. of modules : 1

Colour : Charcoal Grey

Mounting : Flush and Surface - mounted

3.OVERALL DIMENSIONS

Width : 22.5 mm

Height :45.1 mm

Depth : 45.8 mm

Weight (g) : 29.6

4.CONNECTION

Terminal : with screws

Capacity : 2.5mm² to 6mm²

Stripping : 10 mm

Screwdriver : 4mm flat-blade up to 5 mm

5.OPERATION

Switch with rocker

6.TECHNICAL CHARACTERISTICS**6.1 Material Characteristics**

Rocker : Polycarbonate Grey

Base : Polycarbonate

Lens : Polycarbonate homo natural

Terminal : Brass with Silver plating

Screws : Brass with Tin plating

Transmitter : PA66 + 20%SI + PTFE

Plunger : Polycarbonate

Cover : Polycarbonate

6.2 Electricals Characteristics

Voltage :230V AC

Current : 25A

Self - extinguishing : 850° C / 30 s.

7.CONFORMITY - APPROVALS

As per IS : 3854